

Square Body Fuse Links

Flush End Contact - Size 4

690V : 1000 – 4000A

Specifications

Description: High speed square body fuse links, for the protection of the power rectifier section of the equipment.



Ratings:

Volts:— 690Vac
 Amps:— 1000-4000A
 IR:— 200kA RMS Sym.

Operating Class: aR

Agency Information: CE, Designed and tested to IEC 60269: Part 4, UL Recognized.

Catalogue Numbers:

Fuse Size	Catalogue Number				Electrical Characteristics					
	B/65 Visual Indicator	-BKN/65 Type K Indicator	-G/65 Visual Indicator	-GKN/65 Type K Indicator	Rated Voltage (V)	Rated Current RMS-Amp	I ² t (A ² Sec)		Watts Loss (W)	
							Pre-arc	Clearing at 660V		
4	170M7058	170M7078	170M7098	170M7118	690	1000	76000	505000	175	
	170M7059	170M7079	170M7099	170M7119		1250	145000	965000	195	
	170M7060	170M7080	170M7100	170M7120		1400	205000	1400000	205	
	170M7061	170M7081	170M7101	170M7121		1600	305000	2050000	220	
	170M7062	170M7082	170M7102	170M7122		2000	600000	3950000	245	
	170M7063	170M7083	170M7103	170M7123		2500	1200000	7800000	275	
	170M7064	170M7084	170M7104	170M7124		3000	2000000	13500000	305	
	170M7065	170M7085	170M7105	170M7125		3500	3250000	22000000	325	
	170M7066	170M7086	170M7106	170M7126		600	4000	4700000	28000000+	355

+ Clearing at 600V

Data Sheet: 170K6328

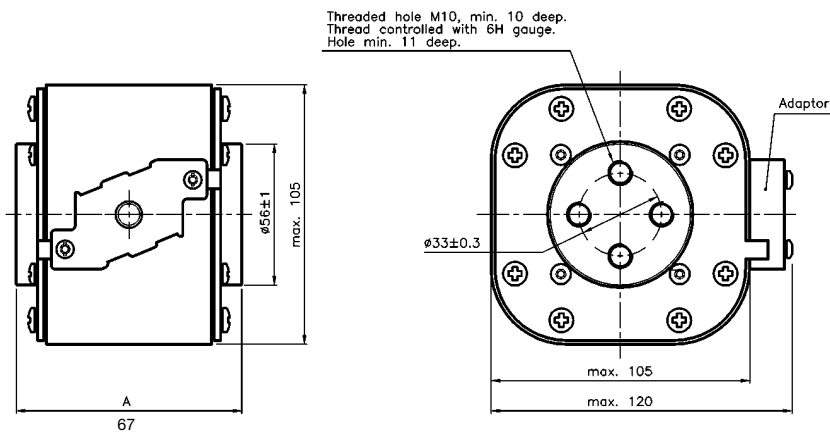
Square Body Fuse Links

Flush End Contact - Size 4

690V : 1000 – 4000A

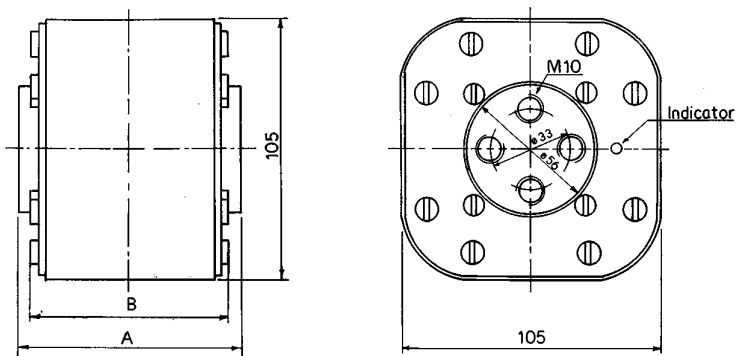
Dimensions (mm):

Type –BKN/65 , -GKN/65



	PCD	Thread
GKN/65	Ø 38.1	UNC 1/2" - 13
BKN/65	Ø 33	M-10

Type –B/65 , -G/65



	PCD	Thread
G/65	Ø38,1	UNC 1/2" - 13
B/65	Ø 33	M-10