

Square Body Fuse Links

DIN 43 653

690V - 700V (IEC/UL) / 10- 400A

Specifications

Description: Square body DIN 43 653 stud mount high speed fuse links, size 000/80 for the protection of DC common bus, DC drives, power converters/rectifiers and reduced voltage starters

Ratings:

Volts: — 690Vac (IEC)

— 700Vac (UL)

Amps: — 10-400A

IR: — 200kA RMS Sym.

Operating Class: aR

gR - size 000 (10-63A), size 00 (10-80A)

Agency Information: CE, Designed and tested to IEC 60269:

Part 4, UL Recognized. UL Recognition/CSA Component

Acceptance on Size 000.

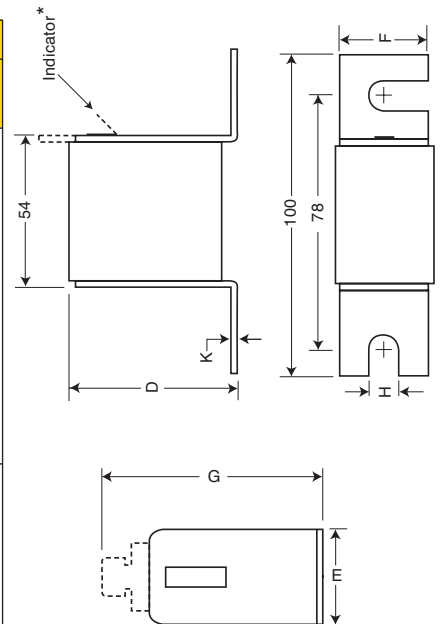
Catalogue Numbers:

Catalogue Numbers			Fuse Size	Electrical Characteristics			
-U/80 Without Indicator	-/80 Visual Indicator	-TN/80 Type T Indicator for Micro		Rated Current RMS-Amps	I ² t (A ² Sec)		Watts Loss
					Pre-arc	Clearing at 660V	
170M1308	170M1358	170M1408	000	10	3.8	25.5	3
170M1309	170M1359	170M1409		16	7.2	48	5.5
170M1310	170M1360	170M1410		20	11.5	78	7
170M1311	170M1361	170M1411		25	19	130	9
170M1312	170M1362	170M1412		32	40	270	10
170M1313	170M1363	170M1413		40	69	460	12
170M1314	170M1364	170M1414		50	115	770	15
170M1315	170M1365	170M1415		63	215	1450	16
170M1316	170M1366	170M1416		80	380	2550	19
170M1317	170M1367	170M1417		100	695	4650	24
170M1318	170M1368	170M1418		125	1200	8500	28
170M1319	170M1369	170M1419		160	2300	16000	32
170M1320	170M1370	170M1420		200	4200	28000	37
170M1321	170M1371	170M1421		250	7750	51500	42
170M1322	170M1372	170M1422	315	12000	80500	52	
	170M2608	170M2658	00	25	19	130	6
	170M2609	170M2659		32	28.5	195	7
	170M2610	170M2660		40	50	360	9
	170M2611	170M2661		50	95	640	10
	170M2612	170M2662		63	170	1200	12
	170M2613	170M2663		80	310	2100	15
	170M2614	170M2664		100	620	4150	20
	170M2615	170M2665		125	1000	6950	25
	170M2616	170M2666		160	1900	13000	30
	170M2617	170M2667		200	3400	23000	35
	170M2618	170M2668		250	6250	42000	45
	170M2619	170M2669		315	10000	68500	55
	170M2620	170M2670	350	13500	91500	60	
	170M2621	170M2671	400	18000	125000	70	

Data sheets: 170K6310 (Size 000), 170K6312 (Size 00)



Dimensions (mm):



* Indication for Size 00 fuses is a red pin.

Type -U/80, -/80, -TN/80

Size	D	E	F	G	H	K
000	40	21	20	51	8	2
00	51	30	28	67	10	2

1mm = 0.0394" / 1" = 25.4mm